



# **C7 CARBON INSTALLATION GUIDE**

**BRAND** Chevrolet **MODEL** Corvette C5 **YEAR** 1999-2004  
**PART NAME** ZR1 style/EXTENDED/RACE Edition Rear Spoiler  
**PART NUMBERS** C7-CCC5-ZR1-RS C7-CCC5EX-REX  
C7-CCC5EX-RSP

[www.C7carbon.com](http://www.C7carbon.com)

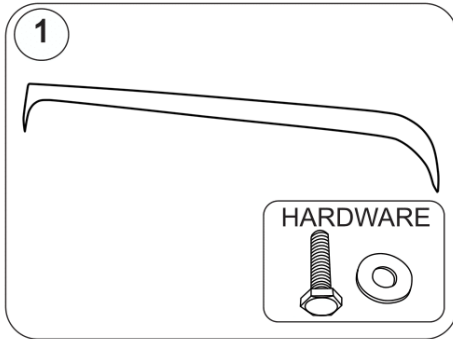
# C7 CARBON - INSTALLATION GUIDE

BRAND Chevrolet MODEL Corvette C5

YEAR 1999-2004

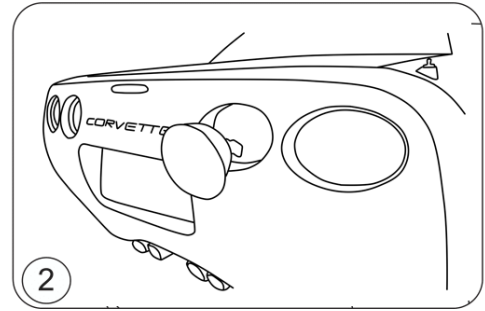
PART NAME ZR1 style/EXTENDED/RACE Edition Rear Spoiler

PART NUMBERS C7-CCC5-ZR1-RS C7-CCC5EX-REX  
C7-CCC5EX-RSP



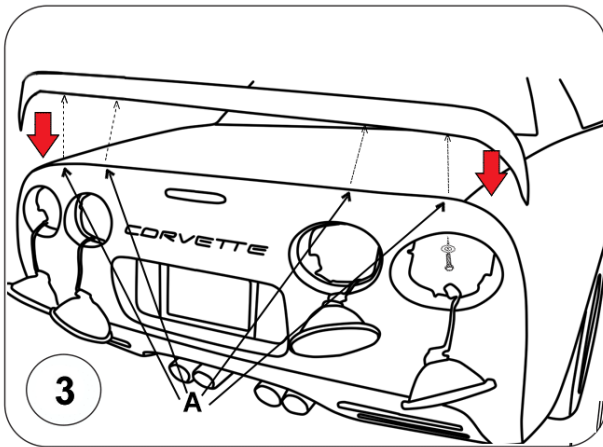
1.- Items included in this package:

- 1x Rear Spoiler
- 4x Hex Bolts
- 4x Washers



2.- Remove the four brake lights from the car.

**NOTE.-** OEM hardware will be re-used to reinstall the lights once the spoiler is installed.

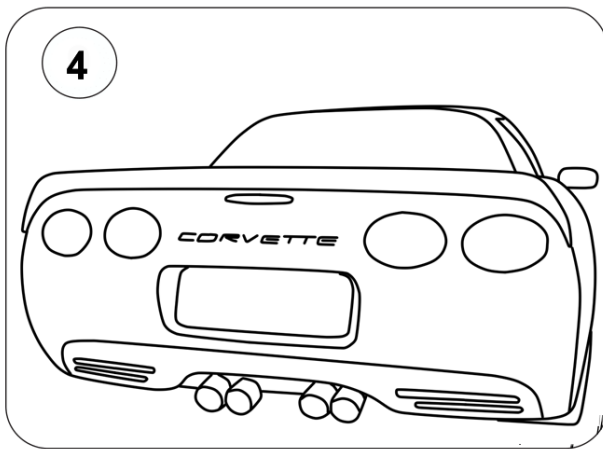


3.- Drilling on the bumper is required in order to place the mounting hardware. To help match the holes drilled on the bumper with the rear spoiler's mounting points, a test fitment is recommended prior to drilling holes on the bumper. For the test fitment, it is recommended to place marking material [such as a piece of chalk, crayon, toothpaste, etc] on the spoiler's mounting points to help determine the drilling points on the bumper's surface.

Once spoiler is in place:

**A.-** Place the bolts through the bumper holes previously drilled, make sure to use a washer for each bolt

**NOTES.-** The holes drilled on the bumper can be slotted for easier fitment during the spoiler installation. Double sided tape can also be used as an additional securing method.



4.- Once the Rear Spoiler is properly attached to the vehicle. Reinstall the brake lights re-using the OEM hardware.