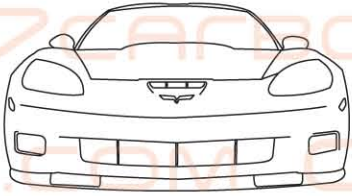
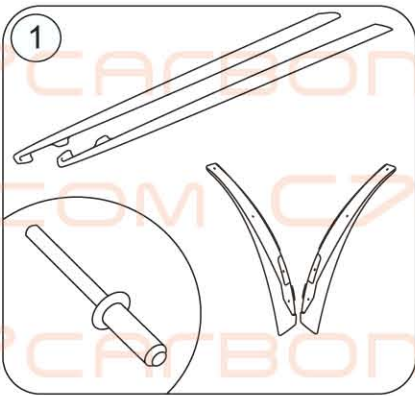




INSTALLATION INSTRUCTIONS

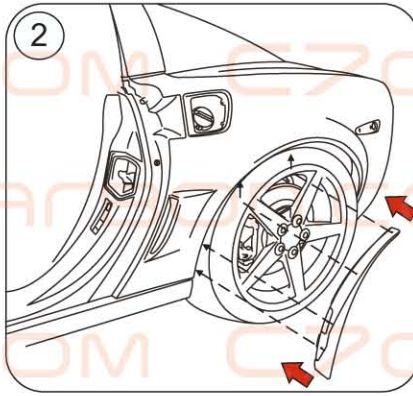


BRAND Chevrolet **MODEL** Corvette C6/ZR1/GS **YEAR** 2005-2011
PART NAME Side skirts **CODE** C7-CCC6-SS-CF
 C7-CCC6-SS-FRP
 C7-CCC6Z-SS-CF
 C7-CCC6Z-SS-FRP

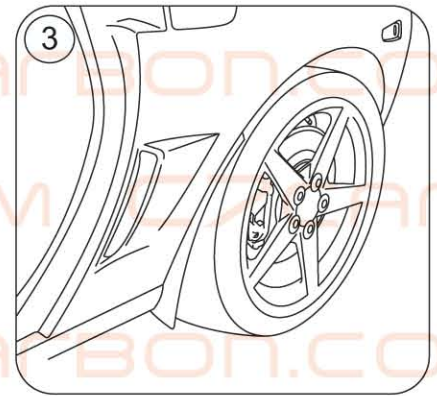


1.- Make sure that you have received the following:

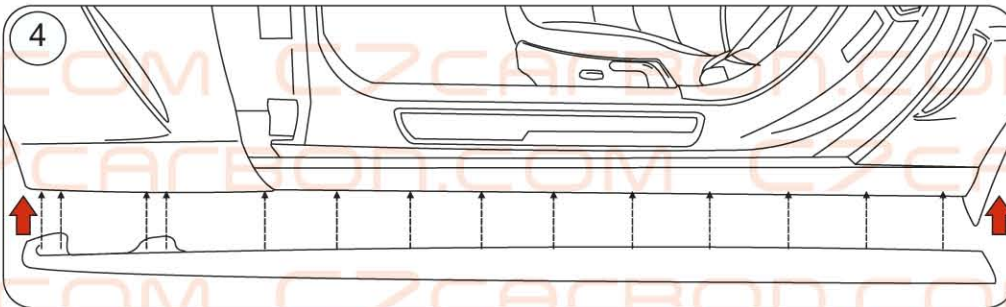
- 26 rivets
- L&R side skirts
- L&R mud flaps



2.-Start by installing the mudflap on each side, the shape of the mudflap and the car will let you know where to position on the car, proceed to make holes on the car using the pre-drilled holes on the mud flaps, proceed to secure the mud flaps using the rivets provided, mudflaps can also be secured with self tapping screws if you decide (screws not included)

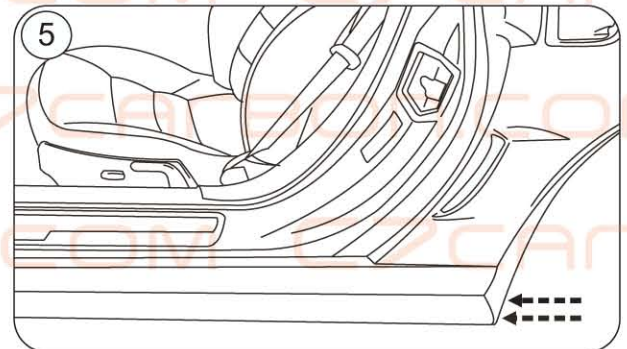


3.-Line-up the side skirt with the secured mudflap this will tell you where the skirt should be on the car, proceed by drilling on the car using the pre-drilled holes on the skirt as guides for the holes on the car.



4.- Secure with rivets provided.

5.-With the mudflaps and the side skirts in position, drill the side skirts using the holes on the mud flaps as guides and secure with hardware provided.



PLEASE NOTE: All parts must be prepped and installed by a professional body shop that has experience working with carbon fiber and fiberglass car parts including but not limited to cutting, filling, sanding, and shaving. Extra fees can be incurred for proper fitment. All parts are sold for off-road and show use only. We do not accept liability for injuries resulting from customization of buyer/owners car, this is done at their own risk. You, as the buyer, are responsible for complying with any/all local, state, and federal laws.