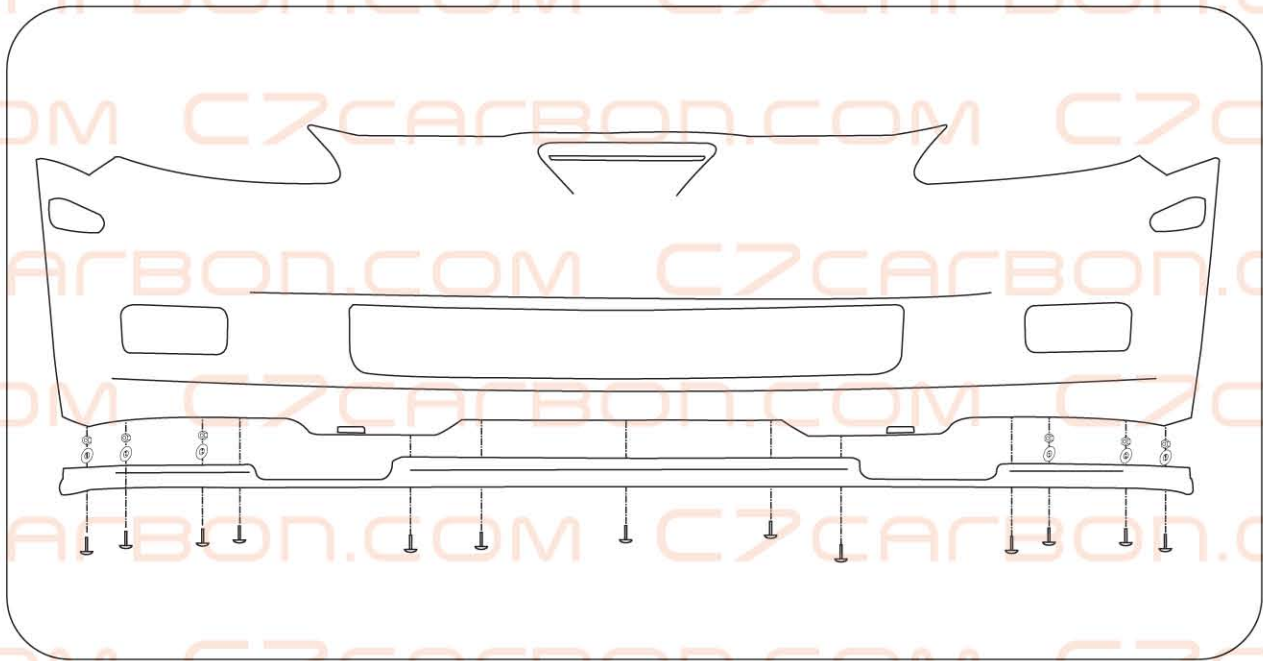


INSTALLATION INSTRUCTIONS

BRAND Chevrolet **MODEL** Corvette C6/ZR1/GS/Z06 **YEAR** 2005-2011
PART NAME Front Splitter **CODE** C7-CCC6Z-FS-CF
C7-CCC6Z-FS-FRP
C7-CCC6-FS-CF
C7-CCC6-FS-FRP



- Observe proper precautions and safety procedures while performing the following
- Raise vehicle to a comfortable working height
- Align the splitter/valence to be flush with the bumper/fascia
- Make sure holes from splitter are aligned with the fascia mounting points*
- Use the bolts from the installation kit to go through the splitter and bumper mounting points
- Secure the bolts with the nut and washes also provided on this kit.

NOTES:

- you must fasten the nuts and bolts from the left and right sides first, then you can work your way to the center nuts and bolts.
- you may need to slot the splitter holes slightly.
- * For Standard C6 models, you need to align the splitter to the bumper, then you need to drill the holes on the bumper, after holes are drilled you can bolt the splitter on to the car.

PLEASE NOTE: All parts must be prepped and installed by a professional body shop that has experience working with carbon fiber and fiberglass car parts including but not limited to cutting, filling, sanding, and shaving. Extra fees can be incurred for proper fitment. All parts are sold for off-road and show use only. We do not accept liability for injuries resulting from customization of buyer/owners car, this is done at their own risk. You, as the buyer, are responsible for complying with any/all local, state, and federal laws.